

16

15

14

13

12

11

10

9

8

7

6

5

4

3

2

1

M

M

L

L

K

K

J

J

H

H

G

G

F

F

E

E

D

D

C

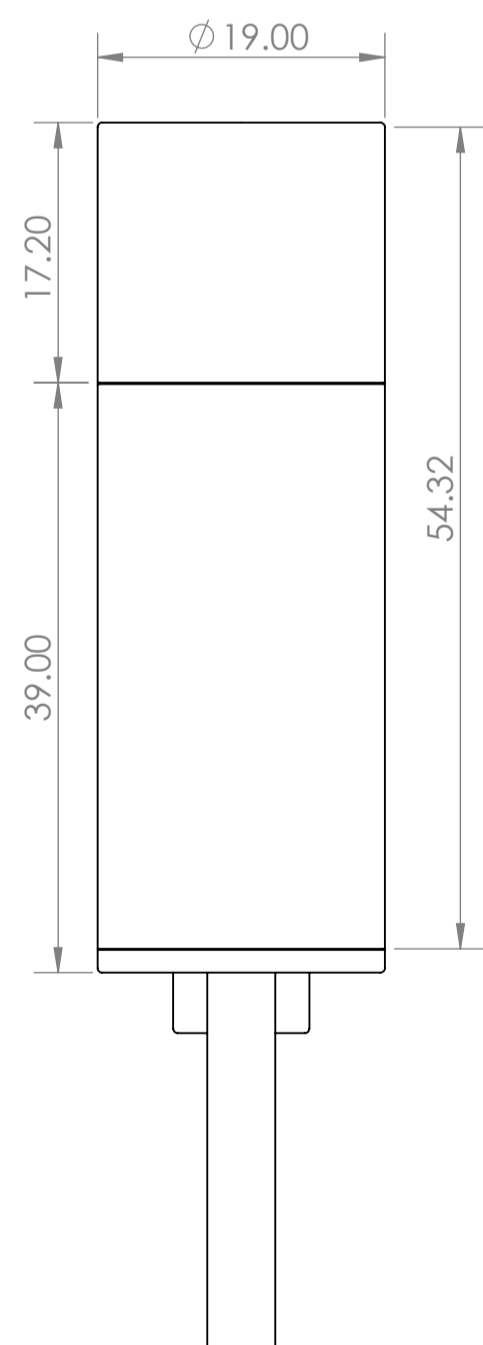
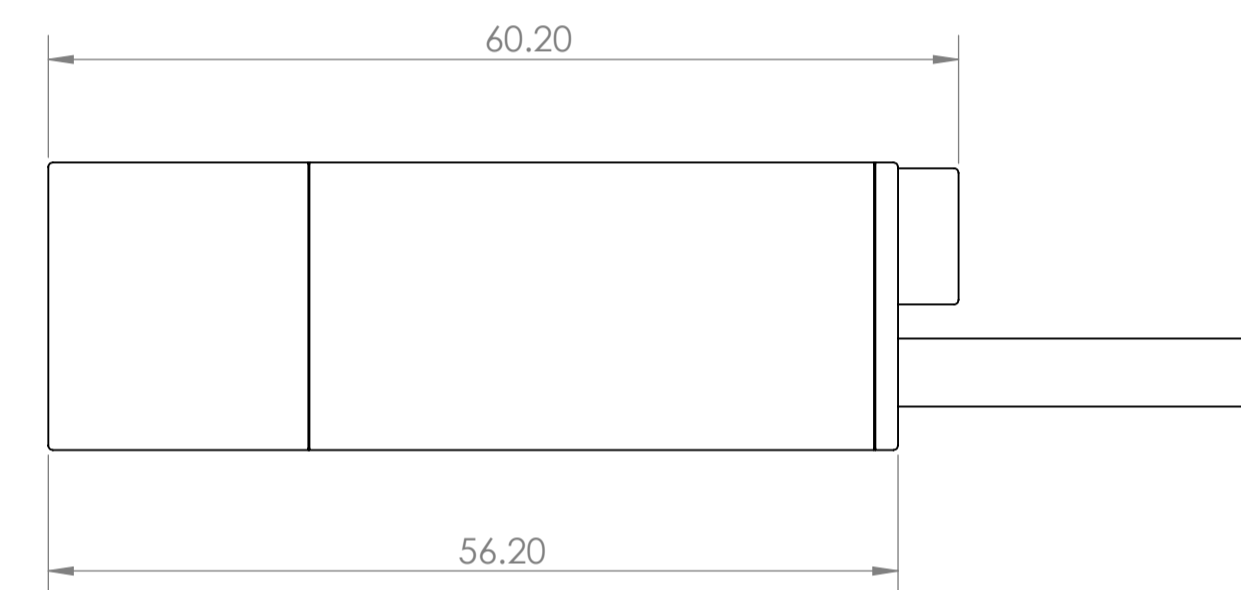
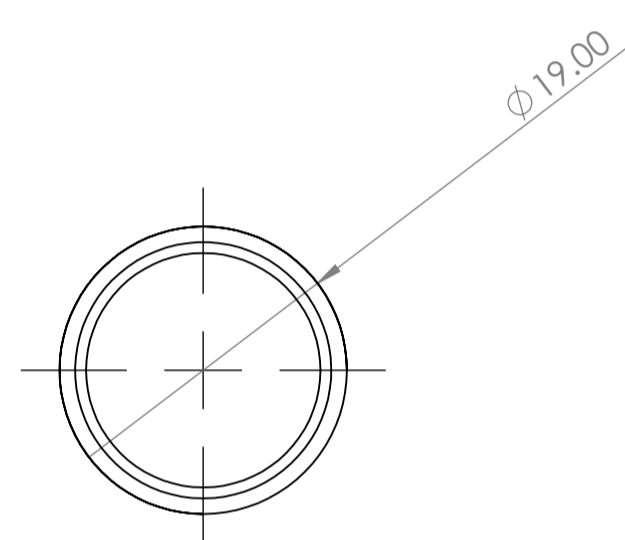
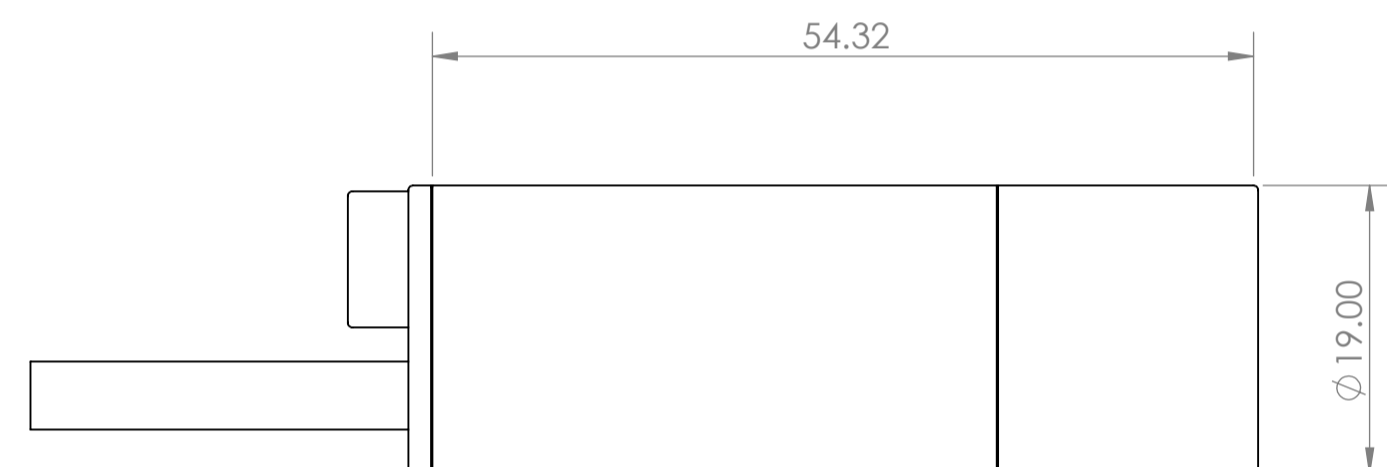
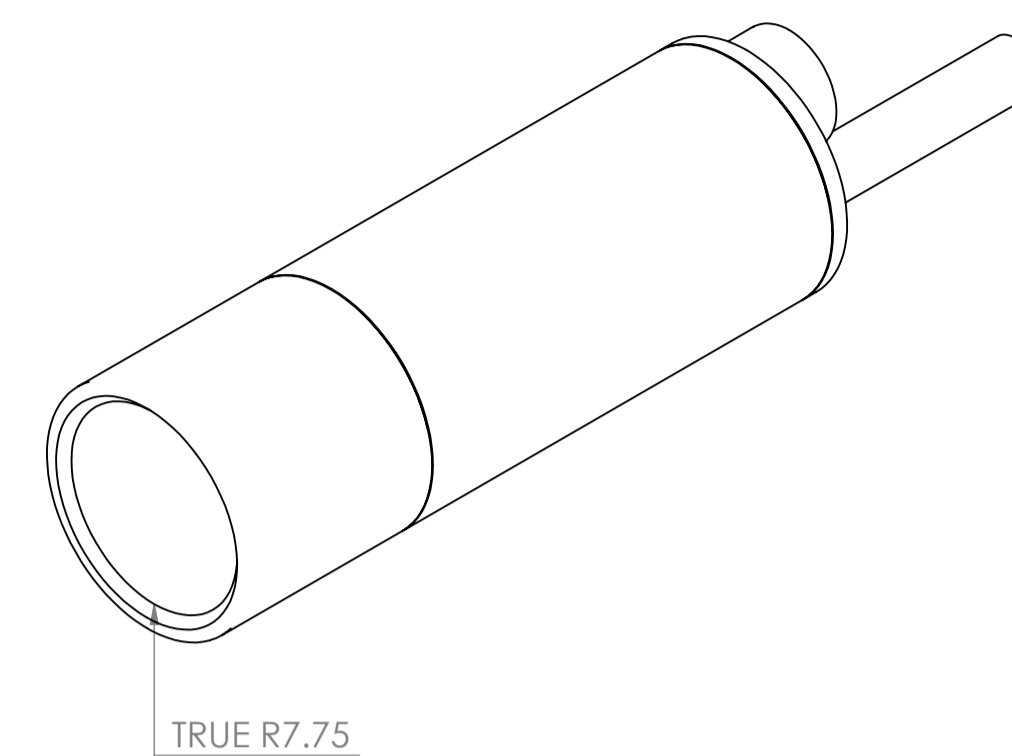
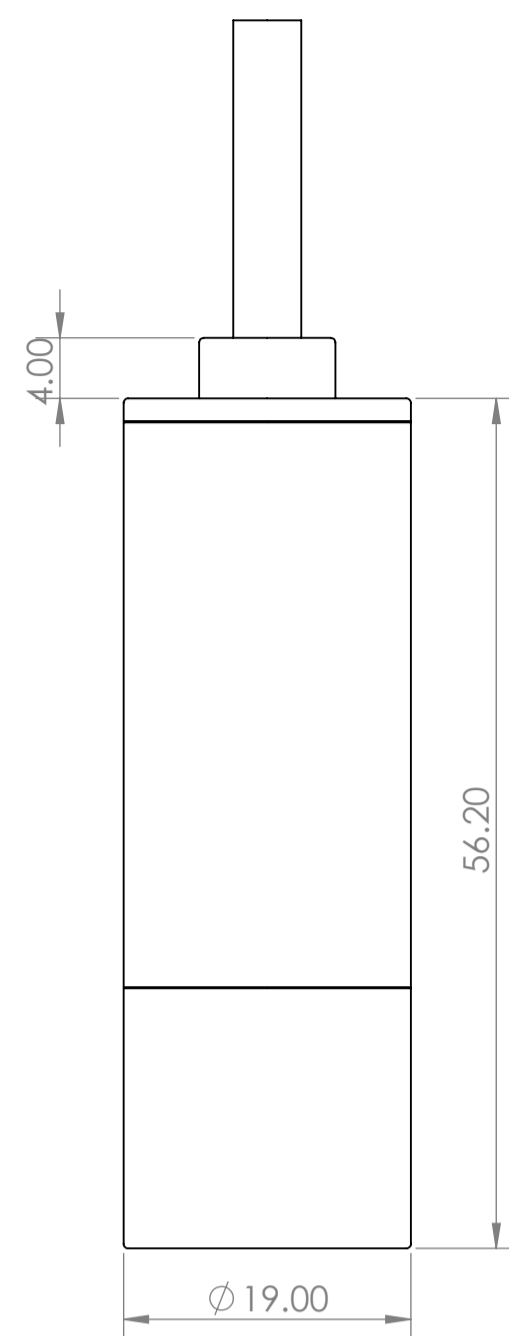
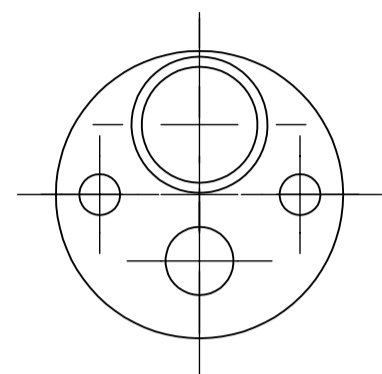
C

B

B

A

A



UNLESS OTHERWISE SPECIFIED: DIMENSIONS ARE IN MILLIMETERS		FINISH:		DEBURR AND BREAK SHARP EDGES		DO NOT SCALE DRAWING		REVISION	
SURFACE FINISH:									
TOLERANCES:									
LINEAR:									
ANGULAR:									
DRAWN		NAME		SIGNATURE		DATE		TITLE	
CHKD									
APPVD									
MRG									
Q.A.									
						MATERIAL:		DWG. NO.	
								54715_CAM_19MM ¹	
						WEIGHT:		SCALE:2:1	
								SHEET 1 OF 1	

16

15

14

13

12

11

10

9

8

7

6

5

4

3

2

1